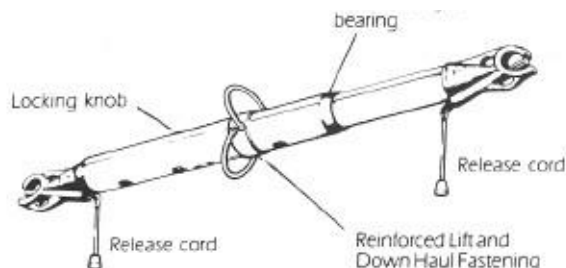


The telescopic spinnaker pole can be extended up to 180% of its closed length with two intermediate positions; in position 1 it can be used as a spinnaker pole; in position 2 it can be used for the No. 2 Genoa; or the cruising chute when running downwind; and the open position is suitable for booming out the No. 1 Genoa.

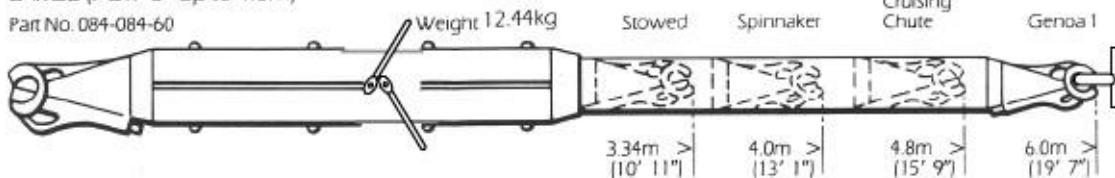
The pole is made from two pieces of standard spinnaker pole tube which are designed as an integrated series so that one slides inside another on a glass filled nylon bearing. This gives both strength and smooth movement. All poles are silver anodised.

The locking mechanism consists of a spring loaded double ended knob which is depressed when the pole is to be extended or contracted. The spring in the knob is of high tensile stainless steel, so there are no corrodable parts.



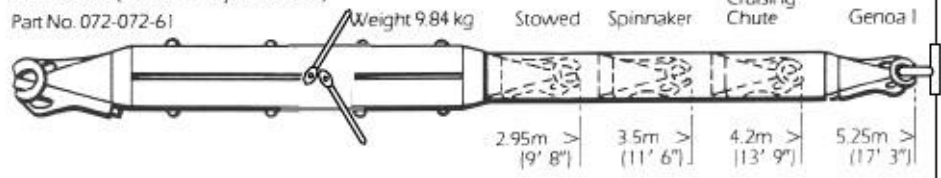
LARGE (FOR "J" up to 4.0m)

Part No. 084-084-60



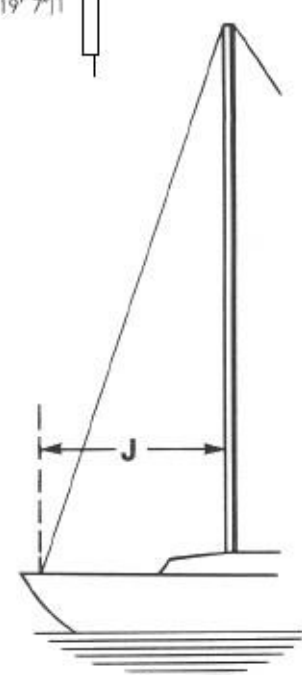
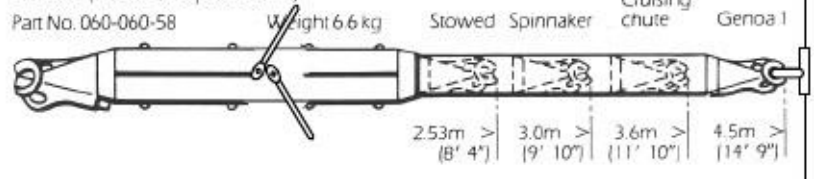
MEDIUM (FOR "J" up to 3.5m)

Part No. 072-072-61



SMALL (FOR "J" up to 3.0m)

Part No. 060-060-58



"J" is usually taken to be the horizontal distance between the forestay attachment and the mast front face.

SIZE SELECTION

TELESCOPIC SPINNAKER POLES come in three sizes to suit yachts with "J" measurements between 2.5m and 4.0m (8' 2" and 13' 1"). By using "J" as the selection parameter we can ensure that the pole has adequate strength when used in the spinnaker position.

Mast Fittings

The optimum size of attachment on the mast is a ring formed from 10mm diameter rod with an inside diameter of 30mm. If your existing ring differs greatly from this, you should fit a fixed or sliding eye.

Stowage

A Telescopic Spinnaker pole can be stowed on deck using standard deck brackets (Part No. 508-114-01) or vertically up the front of the mast.

Telescopic Spinnaker Poles (TELEPOLES) are versatile items, but sometimes misused. To avoid possible problems, you must know what the pole is to be used for:-

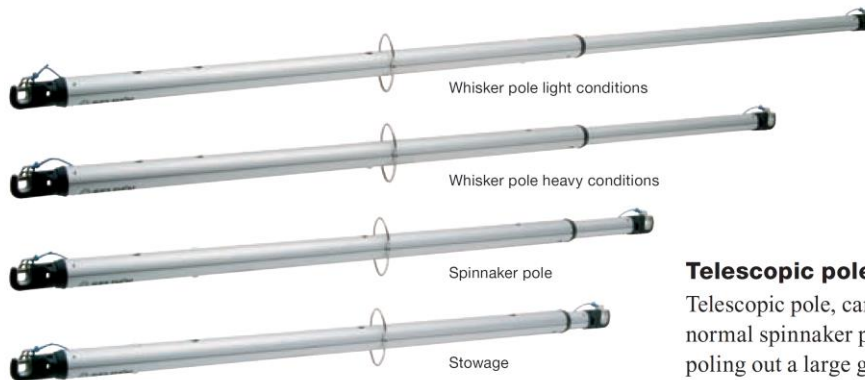
TELEPOLE as a WHISKER POLE

This is the usual case, where the pole is used for bearing out a long foot headsail or the clew of a cruising chute. It is not likely to be used in strong winds. The selection parameter is the yacht’s displacement.

TELEPOLE as a SPINNAKER POLE

This is a different case, as the pole is subjected to higher compression loads, especially when the spinnaker is carried on a close reach. This also applies to a cruising chute, if attached to the pole at it’s tack. In these cases, the selection parameter is the”SPL” dimension.

Standard Telescopic Poles



Telescopic pole. Maximises your downwind performance. Minimises your stowage problem.

Telescopic poles

Telescopic pole, can be extended to 150% of normal spinnaker pole length, a must when poling out a large genoa or a gennaker. It can be telescoped down for easier stowage.

Art. No.	RM 30° kNm	Displ. tonnes	Section dia., mm		Weight kg	Min. length for stowage mm	Spinnaker pole position mm	Whisker pole heavy conditions mm	Whisker pole light conditions mm
			Inner	Outer					
060-060-58	18	3.6	48	60	6	2530	3000	3600	4500
072-072-61	35	6.3	60	72	10	2950	3500	4200	5250
084-084-60	55	9.0	72	84	13	3340	4000	4800	6000

Available from

Proyacht Rigging Services
 Unit 4
 Metherell Avenue Industrial estate
 Brixham
 Devon
 TQ5 9QL

www.proyacht.co.uk
sales@proyacht.co.uk

Tel. 0800 180 48 20